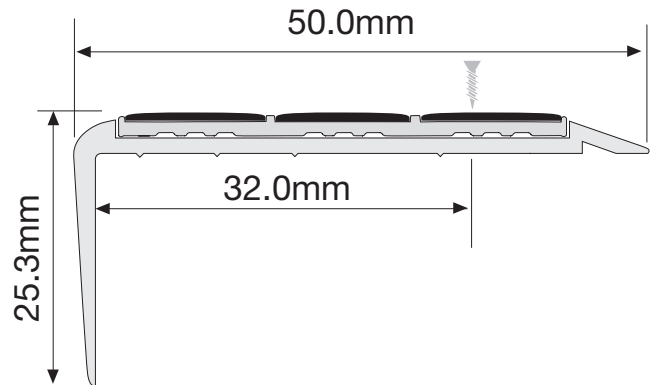
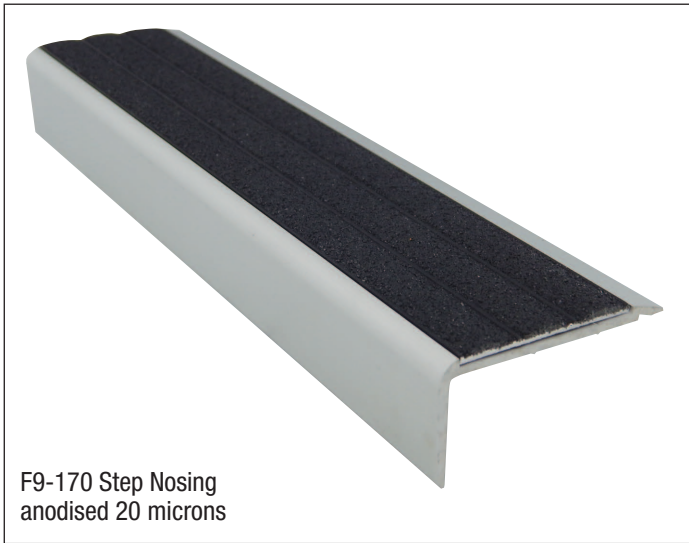


Product Data Sheet - Step Nosing F9-170

2024 V1



The F9-170 Step Nosing is designed to both define the step edge and help prevent slips and falls in all weather conditions.

COMPLIANCE

The Step Nosing is suitable for use indoors and outdoors. The anti-slip material provides all weather protection from slips and falls.

Anti-Slip Properties - UL410 Standard for Slip Resistance for Floor Surface Materials

AS/NZS 4586-2004 Classification:

Dry: F Wet: V Ramp: R12. AS4586-2013 Classification: P5

UV Resistance - Loss of luminance after 1000 hrs ASTM G-155 Cycle 1 exposure: <10%: Pass

Salt Spray Resistance - ASTM B117: Pass

Washability - ASTM D4828: Pass

Rate of Burning - ASTM D635: Pass

Surface Flammability - ASTM E162: Pass

Toxicity - Bombardier Toxic Gas Generation Test SMP800-C: Pass

Radioactivity - ASTM D3648: Pass

High Temperature Curing: Pass

SUPPLY

The product is available in 100mm increments from 800mm to 1500mm. Custom lengths can also be fabricated on site from 2.45 metre and 3.06 metre lengths.

COMPOSITION

The Step Nosing profile consists of 6060T5 aluminium extrusion, anodized (natural/silver colour) to 20 microns thickness.

Ecoglo N2-070 Anti-Slip/Step Edge Contrast is adhesively fixed into the extrusion. N2-070 is manufactured from extruded 6063T5 aluminium section. Silicon Carbide anti-slip materials and custom made photoluminescent pigment are embedded in thermoset polyester carriers to integrally bond the active ingredients into the aluminium following curing at high temperature.



INSTALLATION

The F9-170 Step Nosing is installed with hidden fixers and can be used on a range of substrates including concrete, timber, tiles, vinyl, steel and checker plate. Uni clamp assemblies can be used for installation onto steel mesh steps.

Maximum recommended length for outdoor installation is 1500mm.

Installation is a two-step process and needs to be carried out strictly in accordance with the Ecoglo installation instructions.

Consult Installation Instructions on website for full details and surface preparation.

PRODUCT CODE	PRODUCT DESCRIPTION	PRODUCT LENGTH
F9-170-800	Step Nosing 50mm x 25mm	800mm
F9-170-900	Step Nosing 50mm x 25mm	900mm
F9-170-1000	Step Nosing 50mm x 25mm	1000mm
F9-170-1100	Step Nosing 50mm x 25mm	1100mm
F9-170-1200	Step Nosing 50mm x 25mm	1200mm
F9-170-1300	Step Nosing 50mm x 25mm	1300mm
F9-170-1400	Step Nosing 50mm x 25mm	1400mm
F9-170-1500	Step Nosing 50mm x 25mm	1500mm

Contact

Ecoglo International Limited

Email: info@ecoglo.com Web: www.ecoglo.com